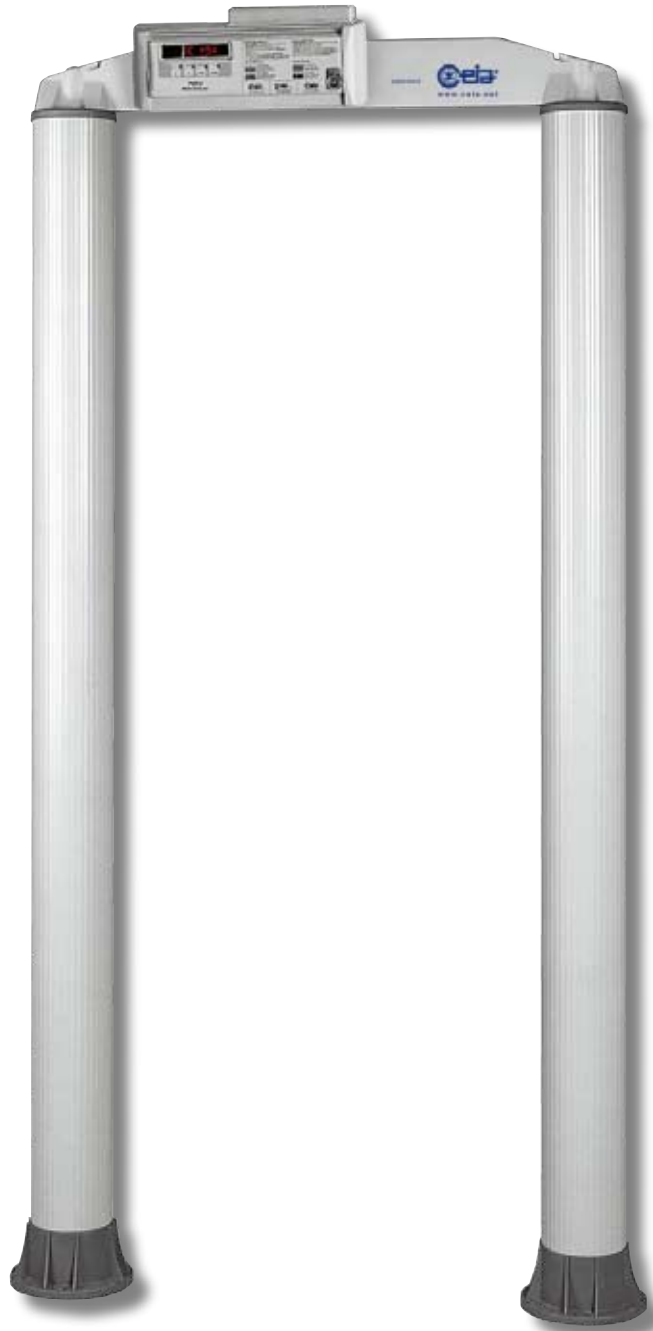


# Classic

## WALK-THROUGH METAL DETECTOR



[www.ceia.net](http://www.ceia.net)



*High Level of Detection  
Uniformity*

*Leading Edge Technology*

*Easy to Install and Use*

*Suitable for Portable  
Applications*

*No Maintenance Required*

*Affordable Pricing*

# Classic WALK-THROUGH METAL DETECTOR



The Classic is a Walk-Through Metal Detector designed and engineered to meet the specific security needs of public facilities such as schools, hotels, amusement parks and city halls. The Classic Metal Detector combines the required Security with a high level of operating efficiency. The leading edge technology features a **high flow rate of people through the gate with the minimum number of nuisance alarms**, as personal effects such as coins, keys and belt buckles can pass through the magnetic field without causing an alarm.

The Classic Metal Detector is **compact and lightweight**, making this portable unit adaptable to any surroundings. The patented cylinder design is aesthetically suitable for the most discrete applications. This security equipment does not require any special training for normal use, making this **the most "user friendly" walk-through metal detector in the industry**.

CEIA Metal Detectors have been selected by the leading security agencies worldwide to protect high-ranking government officials. The Classic **conforms to all International Security Standards** and is capable of detecting both magnetic and non-magnetic weapons.

When security, operating efficiency and affordable pricing are required, the CEIA Classic Metal Detector is the obvious solution.



THE **Classic/Navy** MODEL IS PARTICULARLY SUITABLE FOR ENVIRONMENTS WITH LIMITED HEADROOM, AND FEATURES AN ELECTRONICS UNIT IN A STAINLESS STEEL IP65 CONTAINER



## TECHNICAL DATA

### MAIN FEATURES

- Digitally-adjustable sensitivity with a wide range of values
- All functions controlled by microprocessor
- Programming access protected by hardware key
- Automatic synchronization between two or more metal detectors, at a minimum distance of 2 inches (5 cm) from each other, without using cables
- Professional high integration and high reliability electronics
- Control unit incorporated into the detector
- No initial or periodic calibration
- Easy maintenance. Modular control unit for rapid replacement
- Colour: light grey RAL 7040.

### INSTALLATION DATA

- Power Supply:  
115-230 Vac, +10/-20%,  
45 ÷ 65 Hz, 20 VA max
- Operating temperature:  
from -10°C to +65°C
- Relative humidity:  
from 0 to 95% (without condensation).

### ALARMS

- Visible signals**
  - High intensity display
  - Green and red metering signals proportional to the mass of the object detected
- Audible signals**
  - High acoustic intensity alarm signal
  - Volume and tone of alarm signal are programmable.

### CERTIFICATION AND CONFORMITY

- Complies with Regulations relating to pacemakers, defibrillators or other vital support systems, pregnant women and magnetic storage media (floppy disks, audio cassettes, video cassettes and similar)
- Conforms to the current International Security Standards for Walk-Through Metal Detectors
- Complies with EC Regulations and International Standards relating to Electrical Safety and Electromagnetic Compatibility (EMC).

### ACCESSORIES / OPTIONS

- Steel stabilizer plates for portable applications.
- Standardized test samples
- External Main Battery Supply Unit MBSU-1, including emergency batteries and automatic charger, providing about 8 hours of independent operation.

	CLASSIC	CLASSIC/NAVY
UW	720/820* mm	720/820* mm
UH	1965 mm	1835 mm
TH	2152 mm	2000 mm

\* AVAILABLE ON REQUEST

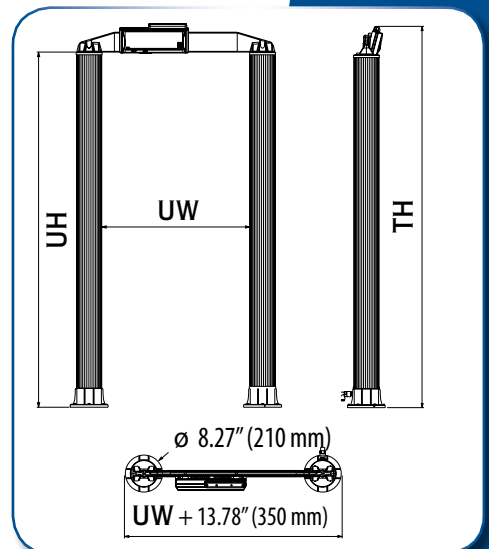
### UNDER THE ALARM THRESHOLD

- Small metal mass
- Medium metal mass

### OVER THE ALARM THRESHOLD

- Medium metal mass
- Large metal mass

GREEN AND RED METERING SIGNALS PROPORTIONAL TO THE METAL MASS DETECTED



OVERALL DIMENSIONS

[www.ceia.net](http://www.ceia.net)



Zona Industriale 54/G, 52040 Vicinaggio - Arezzo (ITALY)  
Tel.: +39 0575 4181 Fax: +39 0575 418298 E-mail: infosecurity@ceia-spa.com